

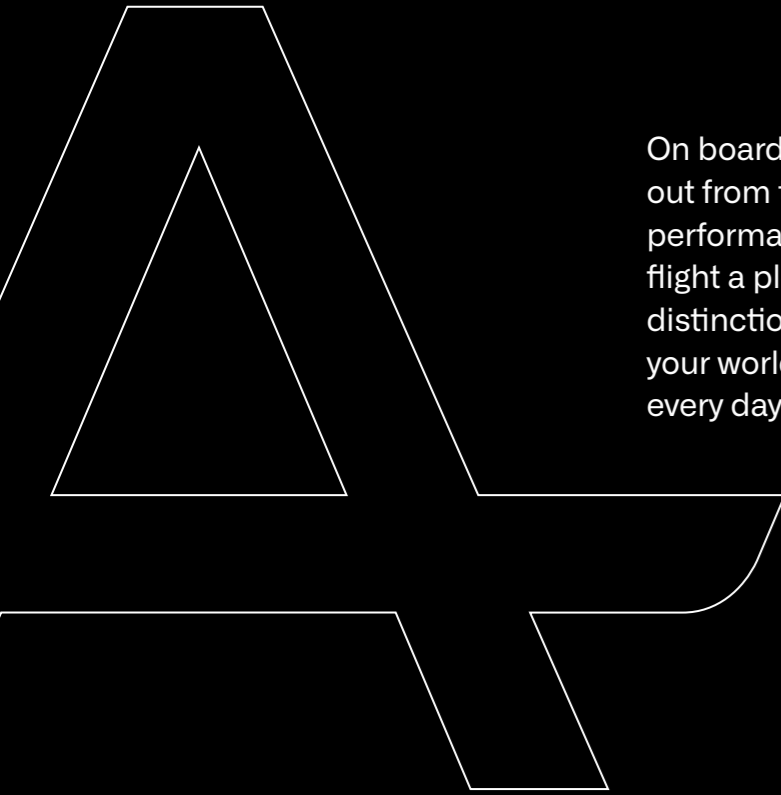
AW109 Trekker

AGUSTA

~~AW109~~
Trekker

Experience,
elevated.





On board an Agusta helicopter, you stand out from the crowd. Innovation, top-class performance, tailored solutions make every flight a pleasure. Elevate your desire for distinction into a vertical flight dimension. Move your world with the hallmark of excellence, every day.





Style meets comfort.

Imagine a moment dedicated to yourself. Feel at ease, in total relaxation and comfort, cocooned in a luxurious environment where every detail goes beyond your expectations: refined materials, elegant styling, effective soundproofing, plus space to work or relax. Let your imagination fly. The AW109 Trekker is reliable and capable, harmonising exceptional performance and the highest safety standards.





Move your world.

We know time is precious. And your free time is always special. Agusta helps you to savour every moment safely, comfortably and in style. Whether it's an urgent business meeting or a much-anticipated family break, you will appreciate the attention to detail that gives the AW109 Trekker its distinctive styling. The elegant interior, advanced avionics and outstanding reliability combine to make every experience memorable.





Outstanding technology.

Helping you to navigate busy skies, the AW109 Trekker features a state-of-the-art glass cockpit tailored to your needs. Single or dual pilot, configured for VFR or IFR flight, the helicopter also incorporates an array of navigation and situational awareness features to enhance safety and provide the crew with the complete operational picture.



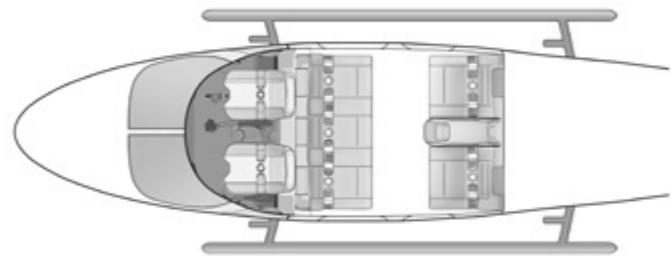
Exceptional cabin flexibility.

— Enjoy a quiet and pleasant flight. Take a moment to unwind in the AW109 Trekker's bright, spacious and beautifully designed cabin which is finished in the finest materials. There is easy access from wide sliding doors on both sides of the aircraft and plenty of room to accommodate all your luggage thanks to the extended baggage compartment.



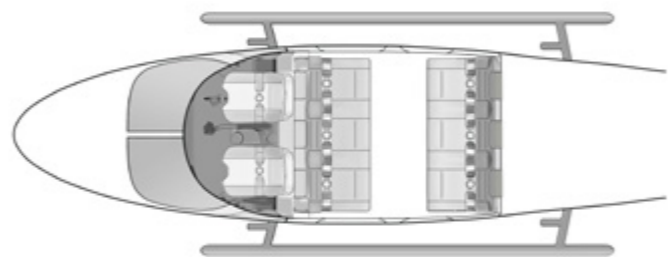
EXECUTIVE INTERIOR

5 passengers on comfortable seats.
Options up to 6 seats.



CORPORATE INTERIOR

6 passengers on comfortable seats.







Make it truly yours.

Your helicopter represents who you are. Stylish, sophisticated and unique. It's a one-of-a-kind perfect machine, thanks to our experienced design team, who will advise on the best match of features and high-quality furnishings. The result is a sumptuous blend of craftsmanship, innovative technology and the highest safety standards.

Choose colours, materials, finishings. Create the perfect environment with mood lighting. Every detail will be brought to life with the finest Italian craftsmanship to reflect your personal style.



Built to perform.

You value having the flexibility to fly when you want to. The AW109 Trekker is always ready to perform. Its exceptional flying characteristics, manoeuvrability and speed ensure a comfortable and enjoyable flight. The skid landing gear and rugged reliability combine with advanced safety characteristics to create a helicopter with an unmistakable stamp of quality.





Always ready to fly.

Our Customer Support, Services & Training team is always by your side. An extensive network of service centres offers support anytime and anywhere: at every stage of your customer journey with us. From maintenance and delivery of spares to integrated training services delivered at our Academies or virtually; cutting-edge solutions to make your flight planning activities and data analysis easier, through to live and virtual support services.

We're constantly innovating to offer you the best support: flexible and tailored to meet your exact needs.



TECHNICAL DATA

Max Cruise Speed (ISA, MGW, SL, MCP)	281 km/h 152 kt
Max Range (ISA, MGW)*	833 km 450 NM
Capacity	Crew 1-2 Passengers up to 6

*@5000 FT, no reserve, with 634 kg usable fuel

**MAX GROSS WEIGHT
(INTERNAL LOADS)**
3,175 KG - 7,000 LB

POWERPLANT
2 X PRATT & WHITNEY CANADA
PW207C

ROTOR DIAMETER
10.83 M - 35 FT 06 IN

OVERALL LENGTH*
12.96 M - 42 FT 6 IN

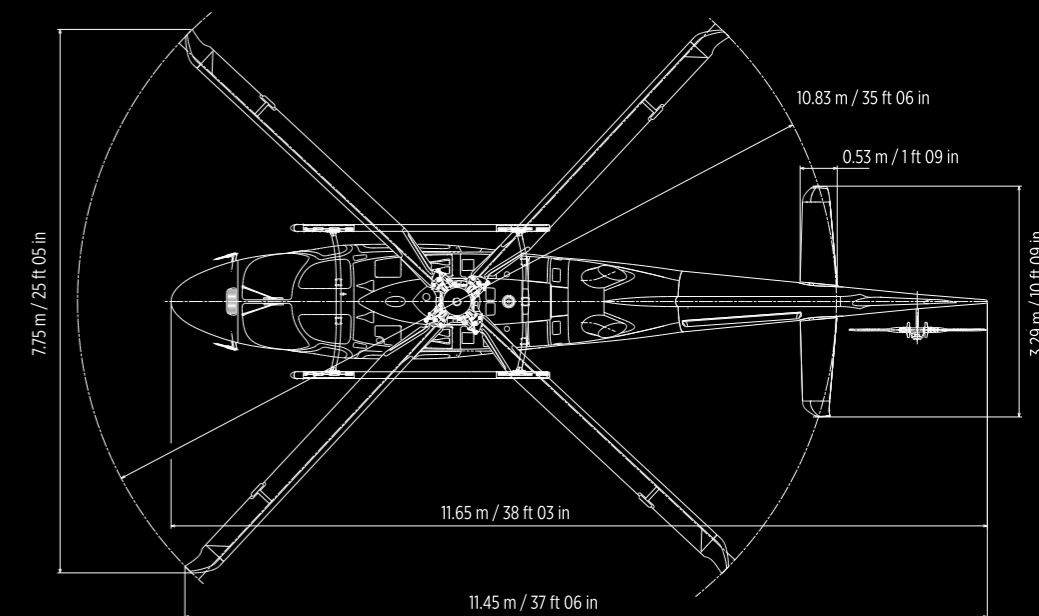
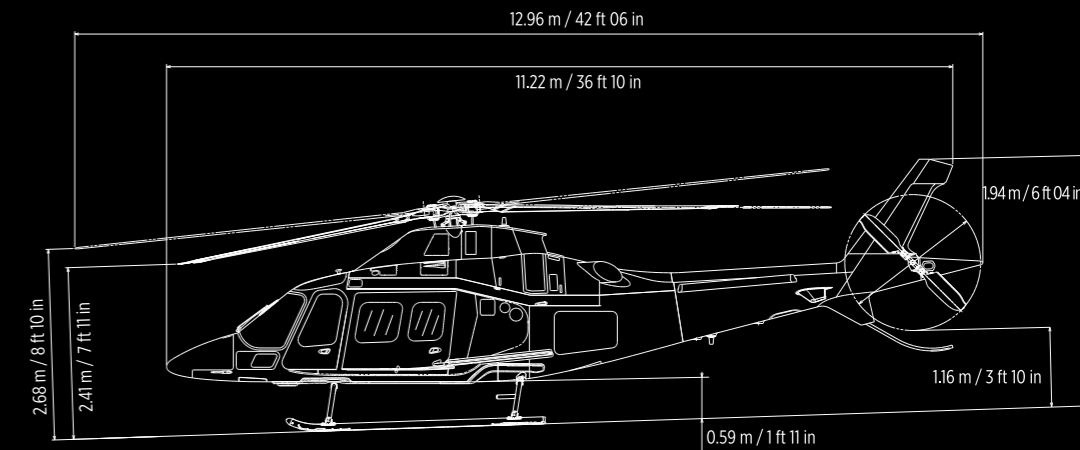
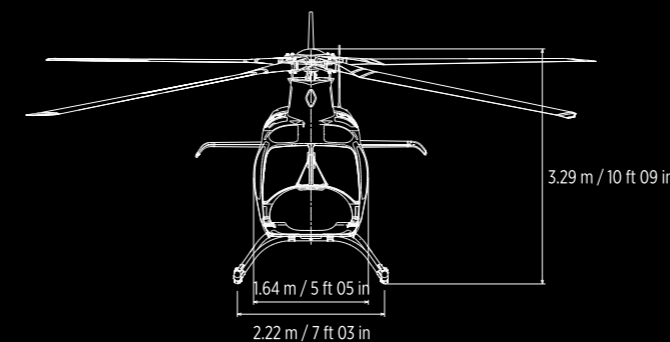
OVERALL HEIGHT
3.60 M - 11 FT 10 IN

MAX ENDURANCE (ISA, MGW)*
4 HR 20 MIN

*@5000 FT, no reserve, with 634 kg usable fuel

HIGE (ISA, MGW, TOP)
4,609 M - 15,120 FT

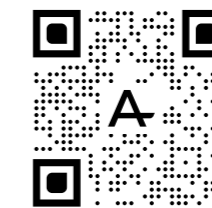
HOGG (ISA, MGW, TOP)
2,926 M - 9,600 FT



AGUSTA
a Leonardo brand

Via Giovanni Agusta, 520
21017 Cascina Costa di Samarate - Italy
T +39 0331 229111

agusta.com



The data contained in this document are general in nature and may vary with conditions and are provided for reference only. Leonardo SpA makes no representation or warranty, express or implied, whether as to the accuracy or completeness of the information and data contained herein. The specification is subject to change without notice.

AGUSTA
Your sign of excellence